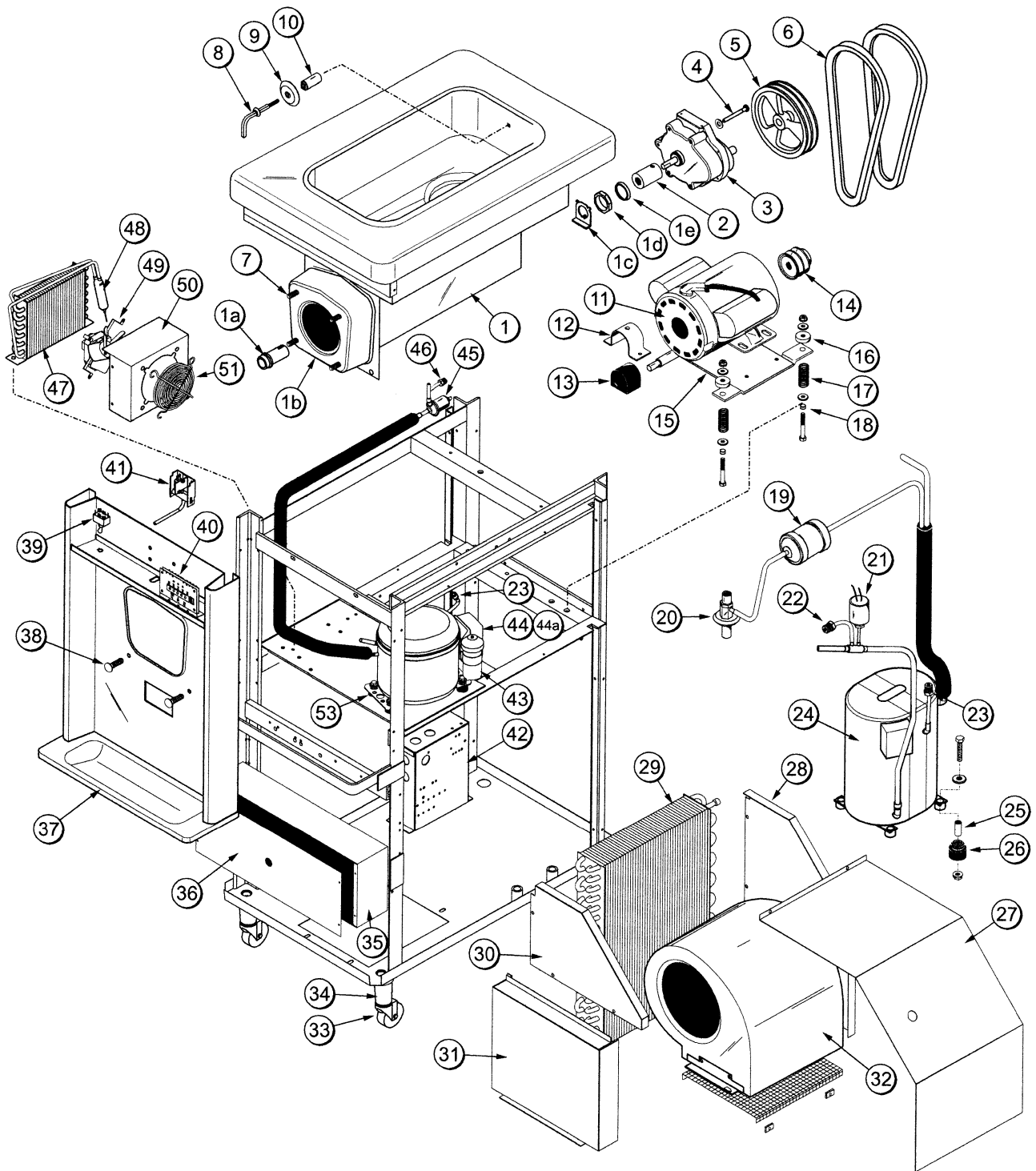


Model 751 Exploded View



Model 751 Exploded View

ITEM	DESCRIPTION	PART NO.
1	SHELL A.-INSULATED	X49785
1a	BEARING-REAR SHELL	031324
1b	CONE-NOSE	N/A
1c	WASHER-BEARING LOCK	012864
1d	NUT-BRASS BEARING	028991
1e	GUIDE-DRIP SEAL	028992
2	COUPLING-DRIVE 3/4 HEX	012721
3	GEAR A.*REDUCER 4.21:1	021286
4	SCREW-6X3/8 SL HEX W HD	001825
5	PULLEY-2AK74-5/8	027822
6	BELT-AX35	022848
7	STUD-NOSE CONE	022822
8	PROBE A.-MIX SQUARE	X30922
9	DISC-PROBE *SQ HOLE*	030965
10	SPACER-PROBE *SQ HOLE*	030966
11	MOTOR-1.5 HP	021522-
12	CLAMP-MOUNTING	012257
13	BUSHING-MOUNTING RUBBER	012258
14	PULLEY-2AK22 X .625-.6265	016403
15	HINGE A.-MOTOR	X25731
16	GROMMET-7/16 X 5/16	016212
17	SPRING-COMP.970X.115X2.00	025707
18	CAP-RUBBER MOUNT	011844
19	DRYER-FILTER-HP62-3/8	048901
20	VALVE-EXP-AUTO-1/4 S X 1/4	046365
21	SWITCH-PRESSURE 440 PSI	048230
22	VALVE-ACCESS 1/4FL X 3/8	043232
23	VALVE-ACCESS-1/4 MFL X 1/4	047016
24	COMPRESSOR L63A113BBCA	048259-

ITEM	DESCRIPTION	PART NO.
25	SLEEVE-COMP. MOUNTING	037429
26	GROMMET-COMP. MT	037428
27	SHROUD-CONDENSER SIDE	047167
28	SHROUD-CONDENSER REAR	047166
29	CONDENSER-AC-12LX18H	048233
30	SHROUD-CONDENSER *TOP*	047165
31	SHROUD-CONDENSER	047164
32	BLOWER A.	X53725-27
33	CASTER-SWW 5/8 STEM	018794
34	ADAPTOR A.-CASTER	X18915
35	CONTROL A. AC	SEE PG. 73
36	COVER-CONTROL BOX	033253
37	PANEL A.-FRONT	X33237
38	BOLT-CARRIAGE 1/4-20 X 3/4	012347
39	SWITCH-TOGGLE-DPDT	024295
40	BOARD-LOGIC-GEN 2.6-SD	X36641SER1
41	SWITCH A.-DRAW	X33322-
42	BOX A.-CAP&RELAY	SEE PG. 80
43	CAPACITOR-START-60UF	047703
44	COMPRESSOR TL3G-R134A	047701-
44a	RELAY-START COMPRESSOR	047702-27
45	VALVE-EPR 1/4S	022665
46	VALVE-ACCESS 1/4FL X 1/4	044404
47	CONDENSER	027155
48	DRYER-CAP. TUBE	047699
49	MOTOR-FAN 105CFM 3000	027309-27
50	SHROUD-DANFOSS	027386
51	GUARD-FAN	028534-1
52*	GUIDE A.-DRIP PAN	X28863
53	KIT-MOUNTING DANFOSS	047704

*NOT SHOWN